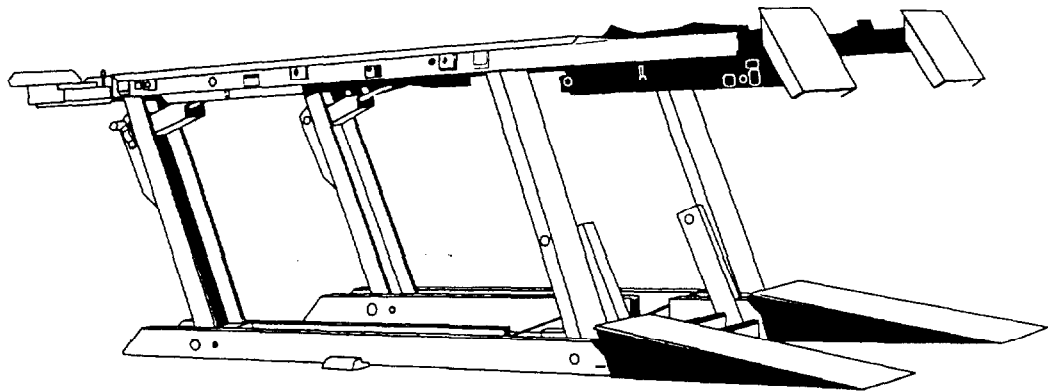
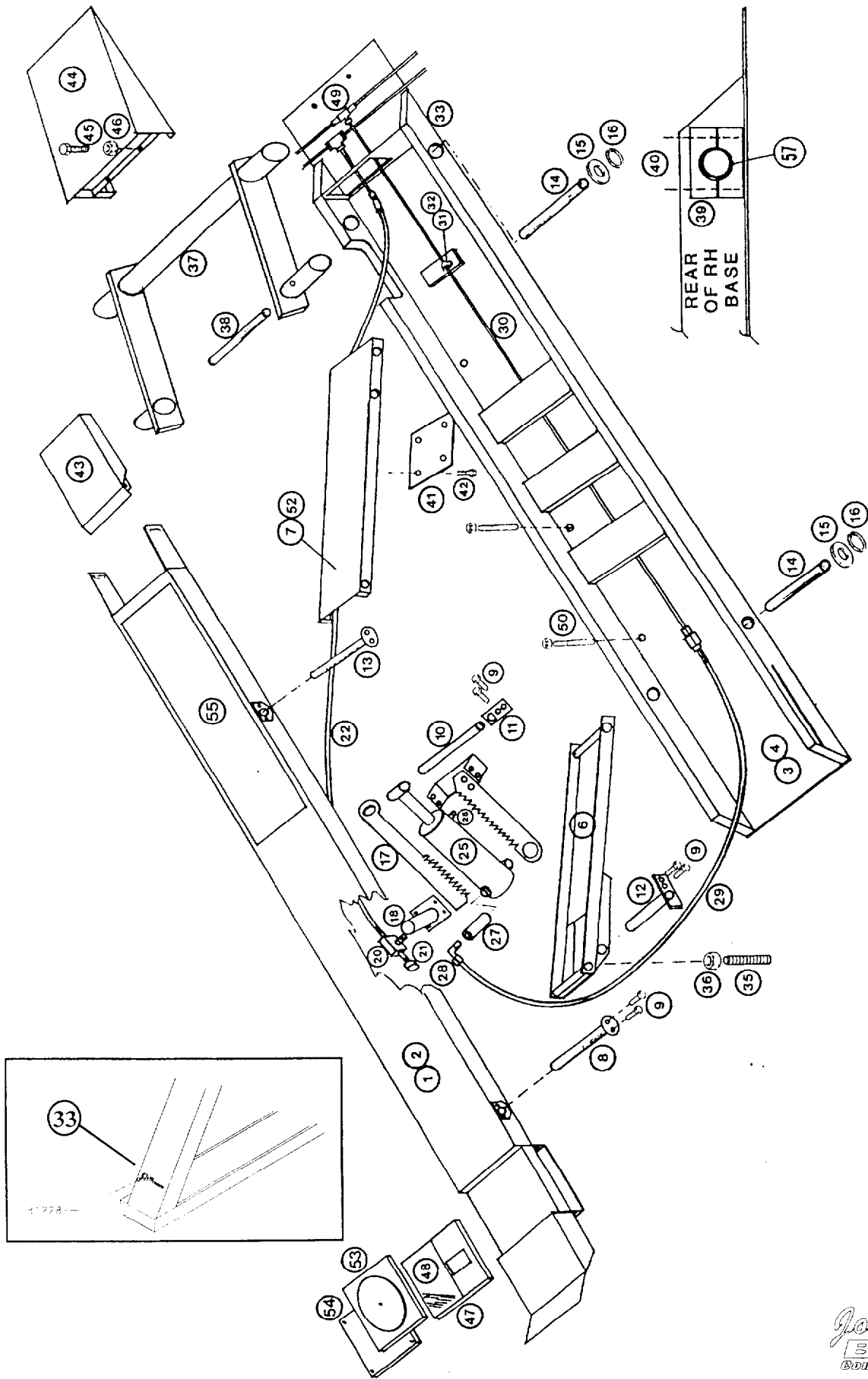




Model 4770/4870
Parallel Lift
Parts Reference



Form 4729-7



<u>Ref</u>	<u>Part</u>	<u>Description</u>
<u>No.</u>	<u>No.</u>	
1	68573	4770 RH Runway Weldment
	68621	4870 RH Runway Weldment
2	68574	4770 LH Runway Weldment
	68620	4870 LH Runway Weldment
3	68581	4770 RH Base Weldment
	68627	4870 RH Base Weldment
4	68582	4770 LH Base Weldment
	68597	4870 LH Base Weldment
6	68577	Front Arm Weldment
*	69659	Bearing 1-3/8" ID
7	68578	Rear Arm Weldment
8	69986	Shaft/Plate Wld Assy. (Upper arm front)
9	1187796	Button Hd Screw 5/16-18x5/8"
10	69997	Cylinder Pivot Shaft (Runway)
11	69546	Lock Plate
12	69989	Shaft/Plate Wld Assy (Cyl Pivot Arm)
13	69986	Shaft/Plate Wld Assy (Upper arm rear)
14	69987	Lower Arm Shaft
15	69847	Washer - Shaft
16	1118818	Snap Ring 1-3/8" Shaft
*	1100759	Grease Fitting 1/8"
17	69935	Safety Latch Arm
	69937	Cylinder mount Bracket
	1100778	Screw HHCS 5/16-18x5/8"
	1100242	5/16" Lockwasher
*	69936	RH Stop Latch
*	69955	LH Stop Latch
*	1187801	Button Hd. Screw 1/2-13x1.0"
18	69932	Safety Latch Cylinder
*	1101925	Screw SHCS #10-24x2.75"
*	1101697	#6 Lockwasher
*	1109764	#6-32 Nut
*	69940	Rod End Bearing (goes into 69932)
20	69674	Male Branch Tee 7/16-20 37deg. Flare each end to 1/8 NPT
21	69677	Cap 7/16-20 37deg. Flare
22	68575	Latch Cylinder Hose Assy. 161"(4870ML)
	69998	Latch Cylinder Hose Assy. 136"(4770ML)
25	69934	Main Cylinder/Bearing Assy.
*	69523	Thrust Washer (Cyl. Pivot End)
*	69659	Bushing 1-3/8"ID
*	69711	Seal kit for 69592
26	69933	Breather Vent 1/8 NPT
27	69786	Hose Break Valve
28	69787	Male Elbow-90 deg-1/2" tube to 9/16-18 thread
*	1100045	Screw HHC 5/16-18x1.0"
29	68642	Main Cylinder Hose Assy. (4770ML)
	68643	Main Cylinder Hose Assy. (4870ML)
31	69545	Hose Clamp
32	1101982	Self-tap Screw #12x24x1/2"
*	1182563	Nut 5/16-18
*	1100242	Lockwasher 5/16"
*	68001	Safety Label

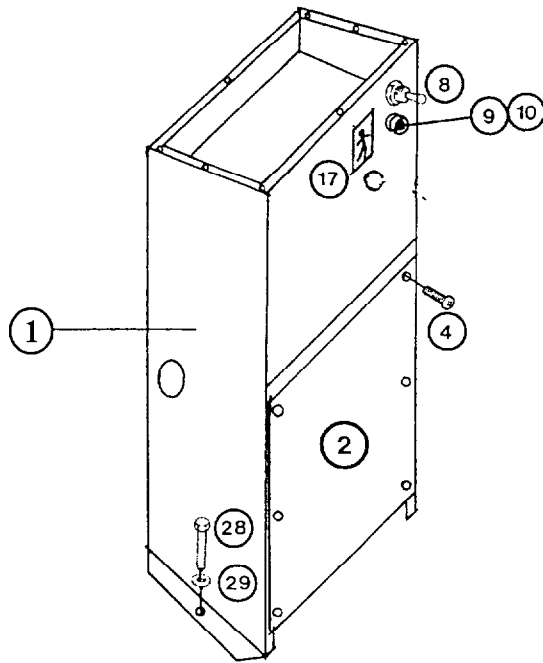
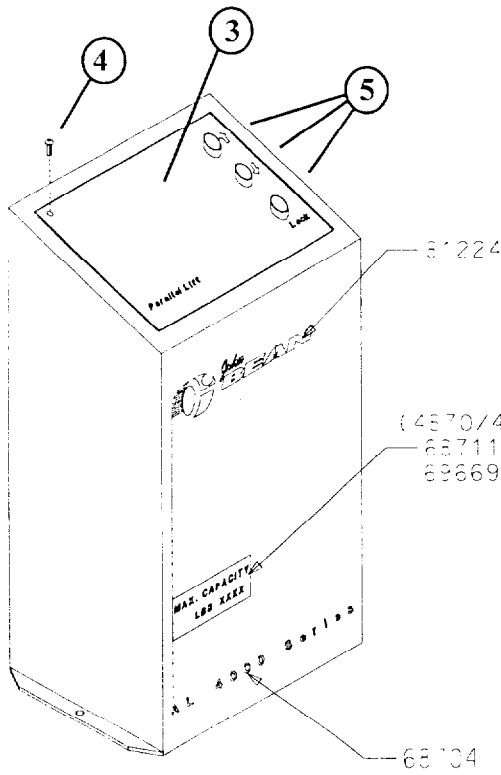
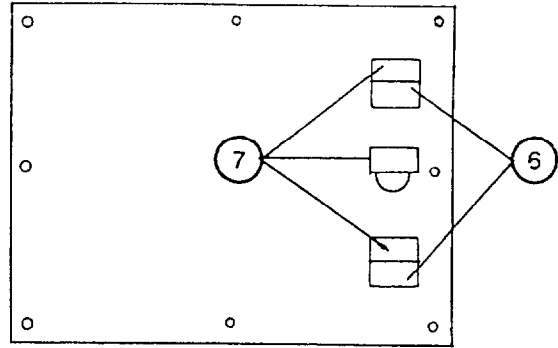
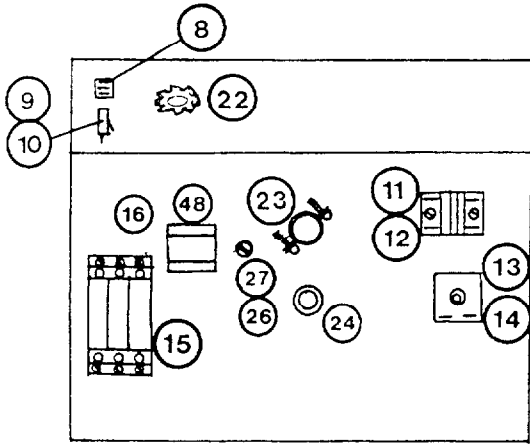


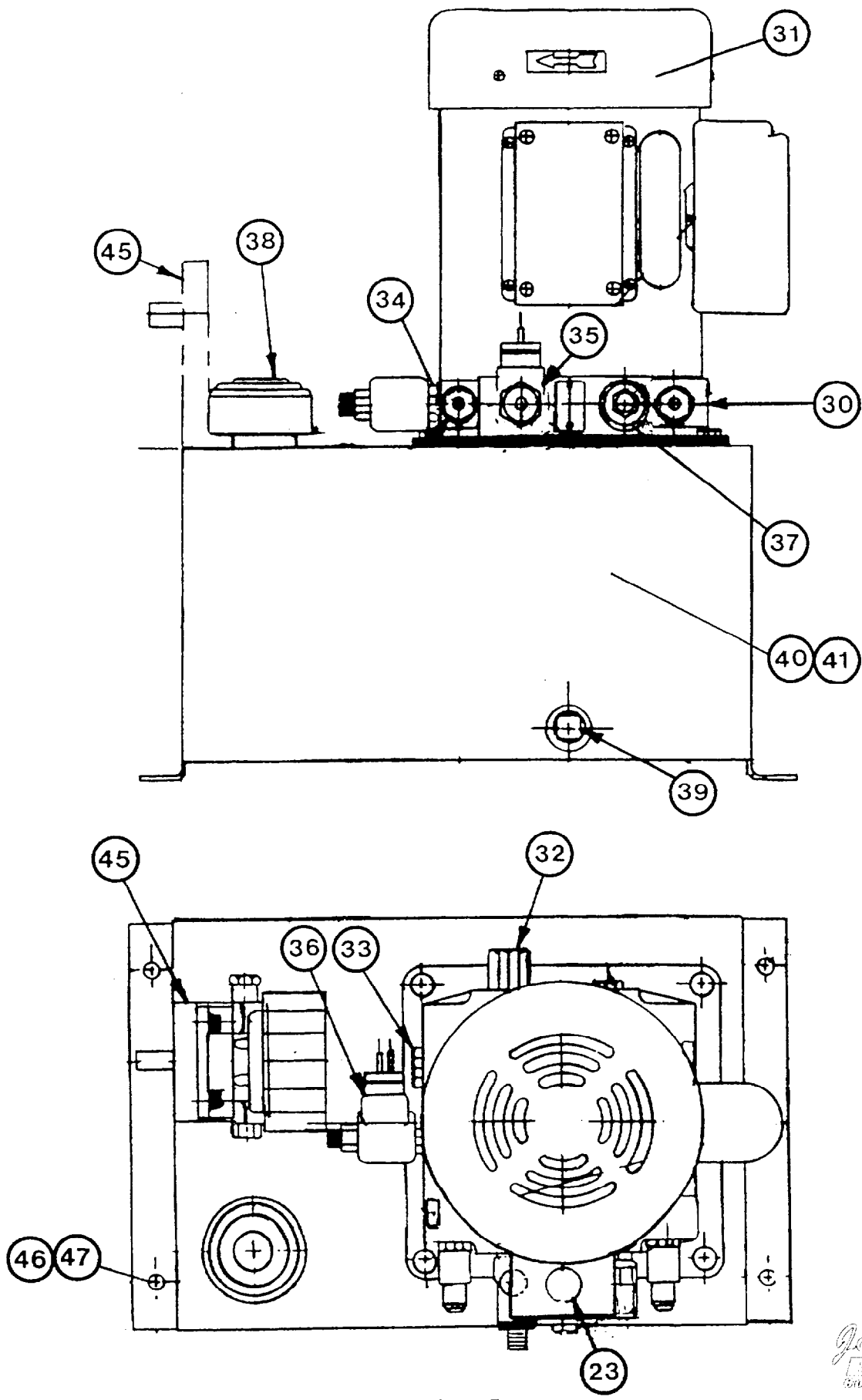
<u>Ref</u>	<u>Part</u>	<u>Description</u>
33	81228	John Bean logo Label
*	69558	Capacity Label (4770)
*	69560	Capacity Label (4870)
*	68497	Front Head Cable & Plate Assy.
*	69801	Connector Mounting Plate
*	68492	Cable Assy - Front Head
*	84094	9-Conductor Cable
*	75061	8-Pin Connector .156 Ctr.
*	70588	Crimp Terminal
*	985067	1/4" Heat Shrink Tubing
*	83195	Connector - Receptacle
*	70876	Contact Pin
*	83327	Receptacle Support
*	1115607	Screw RHMP #4-40x3/4"
*	1109762	Hex Nut #4-40
*	1101606	#4 Int- Tooth Lockwasher
*	68498	Middle Cable & Plate Assy.
*	68499	Rear Hd. Cable & Plate Assy.
*	69816	Cover Plates - Junction Box Hole
*	1101847	Black Cable Clamp 1/4" ID
*	64383	Tie Wrap
*	1101849	Self-tap Screw HHW #12-24x3/8" 5
35	69837	Screw HHC #1-8x3.0" (Arm Leveling)
36	1121558	Jam Nut #1-8
37	68579	Sync Arm Weldment
38	69870	Sync Arm Shaft
39	68587	Bushing Block Top
40	1102381	Bolt SHCS 5/8-11
41	68612	Bolt Plate
42	1101966	Bolt 1/2-13x1-1/2"
*	1112837	Cone Point Setscrew 3/8-16x3/4"
43	69634	Ramp Weldment
*	1100064	Screw HHC 1/2-13x1-1/2"
*	69724	Lift Shim Kit
*	1120242	ESNA Nut 1/2-13
*	1100257	Flat Washer
44	69628	Ramp Extension
45	1100057	Screw HHC 1/2-13x3.0"
46	1121553	Jam Nut 1/2-13
47	68481	Front Step
48	68412	Nonskid Strip
*	1102343	Allen Hd. Screw 1/4-20x1/2"
*	1121507	Hex Nut 1/4-2D
*	69826	Saddle Bridge Weldment
*	1234434	Wheel Stop
*	69572	Elbow - 3/8 Union
*	69794	Elbow 1/4FPT to 3/8 OD Tube
49	69749	Female Branch Tee 3/8FPT to 3/8OD Tube
*	69745	Male Connector 9/16-18SAE to 1/4NPT
*	69571	Tube Ferrule 3/8" OD
*	69626	Console Tube Cover
*	69683	90 Degree Tubing Cover



Ref	Part	Description
No.	No.	
*	69869	Crossover Tube Cover
50	69678	Quik Bolt Stud Anchor
52	68580	Sync Shaft Support Wld (p/o 68578)
*	1100049	Jacking Screw 3/8-16x2-1/4" 72 Turntable
53	68307	Turntable Spacer Weldment
*	1100241	1/4" Lockwasher
*	1100804	Screw 1/4-20x1/2"
55	68601	Rear Slip Plate Weldment
*	68778	Roller
*	68779	Roller Retainer
57	69799	Sync Arm Bushing
*	69694	Tube 3/8"OD x 16 ft.
*	69696	Tube 3/8" OD x 6 ft.
*	69994	HI Pressure Line Label
*	69995	LO Pressure Line Label
*	69968	Warning Label
*	69793	1/4 Male Quick Connector Coupler
*	1101915	1/4" ID Black Hose
*	1107381	1/4" Washer
*	1107382	Flat Washer
*	1182563	5/16-18 Nut
*	67541	Hose Barb
*	1105160	1/4 Female Tee Connector
*	1105157	1/4 Street Elbow Connector
*	1101834	Hose Clamp
*	1103946	1/2" Flat Washer
*	68568	Junction Box - Wired Lift
*	68570	Poly Layflat Tubing
*	69675	Thrust Washer
*	69676	Thrust Washer
*	69827	Capacity Rating Label







<u>Ref No.</u>	<u>Part No.</u>	<u>Description</u>
1	69603	Console Weldment
2	69610	Back Cover
3	69864	Operation Panel
4	1101982	Self-tap Screw 12-24x1/2"
5	69612	Flush Pushbutton
7	69614	Open-contact Block (N-O Sw.) Green
8	83048	ON/OFF Switch
9	64087	Fuseholder
10	74114	Fuse 3.0 Amp
11	68533	Electronic Timer "A"
12	1115725	Screw RHM #6-32x1-1/8"
*	1177246	#8 Lockwasher
13	69893	Electronic Timer "B"
14	1115725	Screw RHM #6-32x1-1/8"
15	1109764	ESNA Nut #6-32
16	69615	Magnetic Contactor
*	1115810	Screw #10-24x1/2"
17	1101479	KEPS Nut #10-24
18	61231	Disconnect Power Danger Label
21	68821	Decal, Parallel lift horizontal
22	1228668	Strain Relief (3/4")
23	35148	Strain Relief (1/2")
*	68562	Electrical Connecting Box
*	68563	Cover for Elec. Conn. Box
*	69652	Connector - 90 Deg. (Sealtite)
*	68653	Straight Connector (Sealtite)
*	69688	Flexible Conduit 1/2" (Sealtite)
*	1101479	ESNA Nut #10-24 (Box to plate)
*	1187559	3/16" Flat Washer
24	68017	Grommet
*	69617	Electrical Cord #14-3 SO
*	61039	Wire Nut (Motor)
*	1212266	Wire Nut Connector (Box)
26	69836	Screw #10-24 x 1.0" (GND)
27	1185489	INT/EXT Tooth Lockwasher
*	1109766	#10-24 Nut
*	69691	Console Assembly Harness
*	69687	Fuse Label
*	90248	Caution Label
*	68564	Cable Assembly
*	69830	Hang Sheet 4770/4870
*	60677	Chain
*	60911	Flat Retaining Washer
*	1187117	Expansion Shield 1/2-13
28	1100067	Screw HHC R/2-13x2.0"
29	1107385	1/2" Flat Washer
30	68708	AC Power Unit - 4870
	68710	AC Power Unit - 4970

<u>Ref No.</u>	<u>Part No.</u>	<u>Description</u>
35	69706	Solenoid Valve (2-way)
36	69707	Solenoid Valve (3-way)
37	69709	Pressure Reducing Valve
*	69710	Solenoid for 69706, 69707
38	69712	Breather and Dipstick
39	NA	Drain Plug 1/2-14NPT - LOCAL PURCHASE
41	69714	Gasket
45	69967	Emergency Hand Operated Pump Kit
*	69898	Handle Weldment
*	69970	Pump and Parts
*	90282	Plug
*	1121507	Hex Nut 1/4-20
*	69589	Tube - Pump 3/8"00
*	69572	Elbow - 3/8 Union
*	69579	Male Connector
46	1100044	Screw HHC 5/16-18x3/4"
*	1107383	3/8" SAE Washer
47	1101890	5/16-18 Nut
*	69994	"HI Pressure Line" Label
*	69995	"LO Pressure Line" Label
*	69780	Transformer, 208/230V (4770ML)
49	1115810	Screw RHM #10-24x1/2"
*	1101479	#10-24 KEPS Nut
*	68548	UL Label, 4770
*	80322	Warning Label
*	80280	CSA Label
*	80323	Caution Label
*	68608	Literature pack
*	69650	4" square metal box
*	69651	cover for 69650 box
*	69658	5 gallons of hydraulic oil
*	1187949	#10 zinc int/ext tooth lockwasher
*	69834	Saddle Bridge





John
BEAN
Company

USA

309 Exchange Avenue
Conway, Arkansas 72032
Tel.: 1-800-362-8326 or (501) 450-1500
Fax: (501) 450-1585

GERMANY

Westerwaldstrasse 36
D-35722 Herborn
Tel: 02772-51098
Fax: 02772-52144

CANADA

2844 Slough Street
Mississauga, Ontario L4TL63
Tel: (905) 672-2600
Fax: (905) 672-2126

IRELAND

Sitecast Industrial Estate
Little Island, Cork
Tel: 021 354477
Fax: 021 354530

FRANCE

Z.I. Du Haut Galy
93602 Aulnay S/S Bois
Tel: 1/4865-3828
Fax: 1/4865-7331

SOUTHEAST ASIA

149 Gul Circle
Singapore 9161
Tel: 65/861-3011
Fax: 65/862-0527

Notice: The information contained in this document is subject to change without notice. **John Bean Company** makes no warranty with regard to this material. **John Bean Company** shall not be liable for errors contained herein or for incidental consequential damages in connection with furnishings, performance, or use of this material.

This document contains proprietary information which is protected by copyright and patents. All rights are reserved. No part of this document may be photocopied, reproduced, or translated without prior written consent of **John Bean Company**.

John
BEAN is a registered trademark of the John Bean Company and Snap-on Corporation.